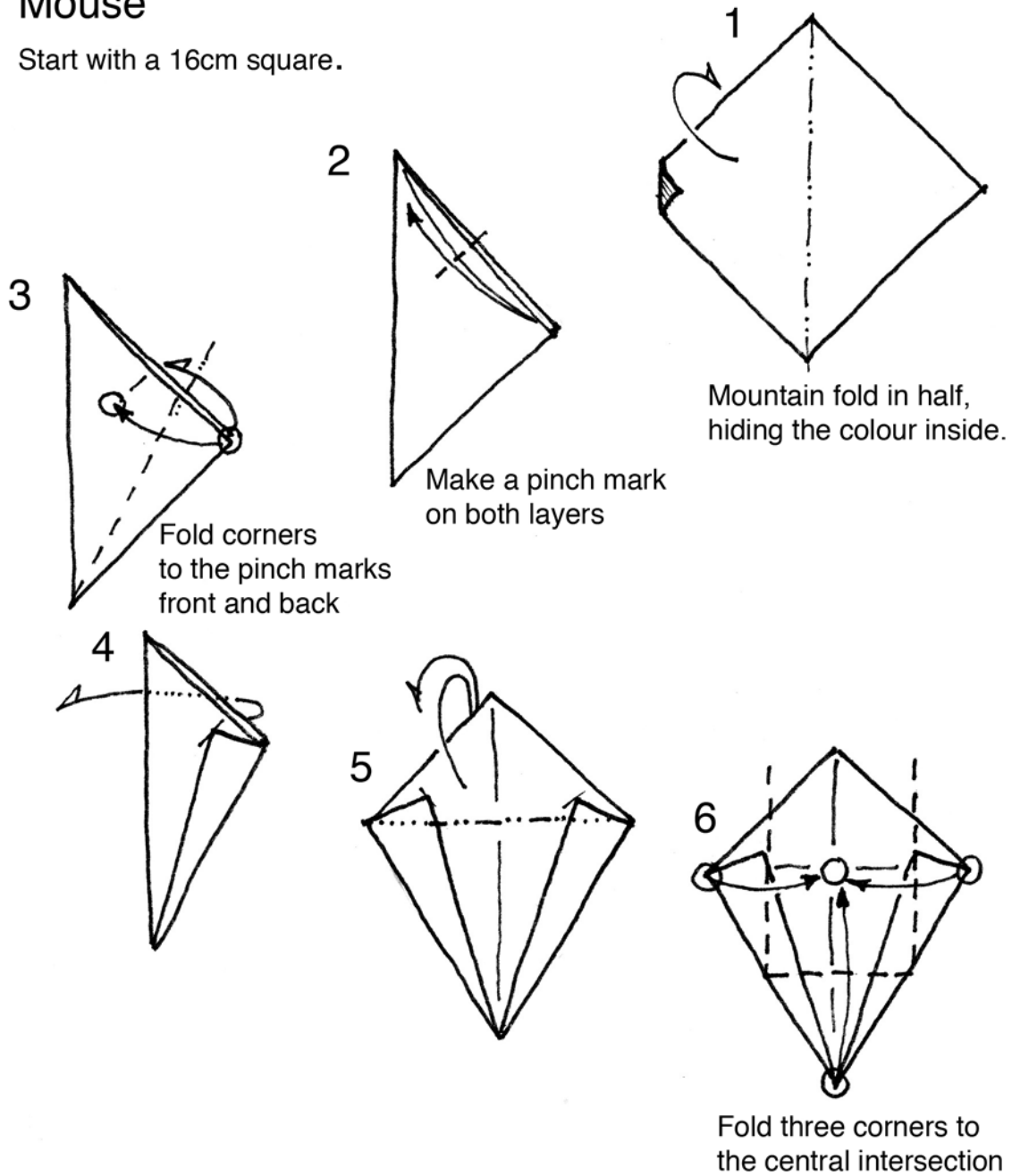


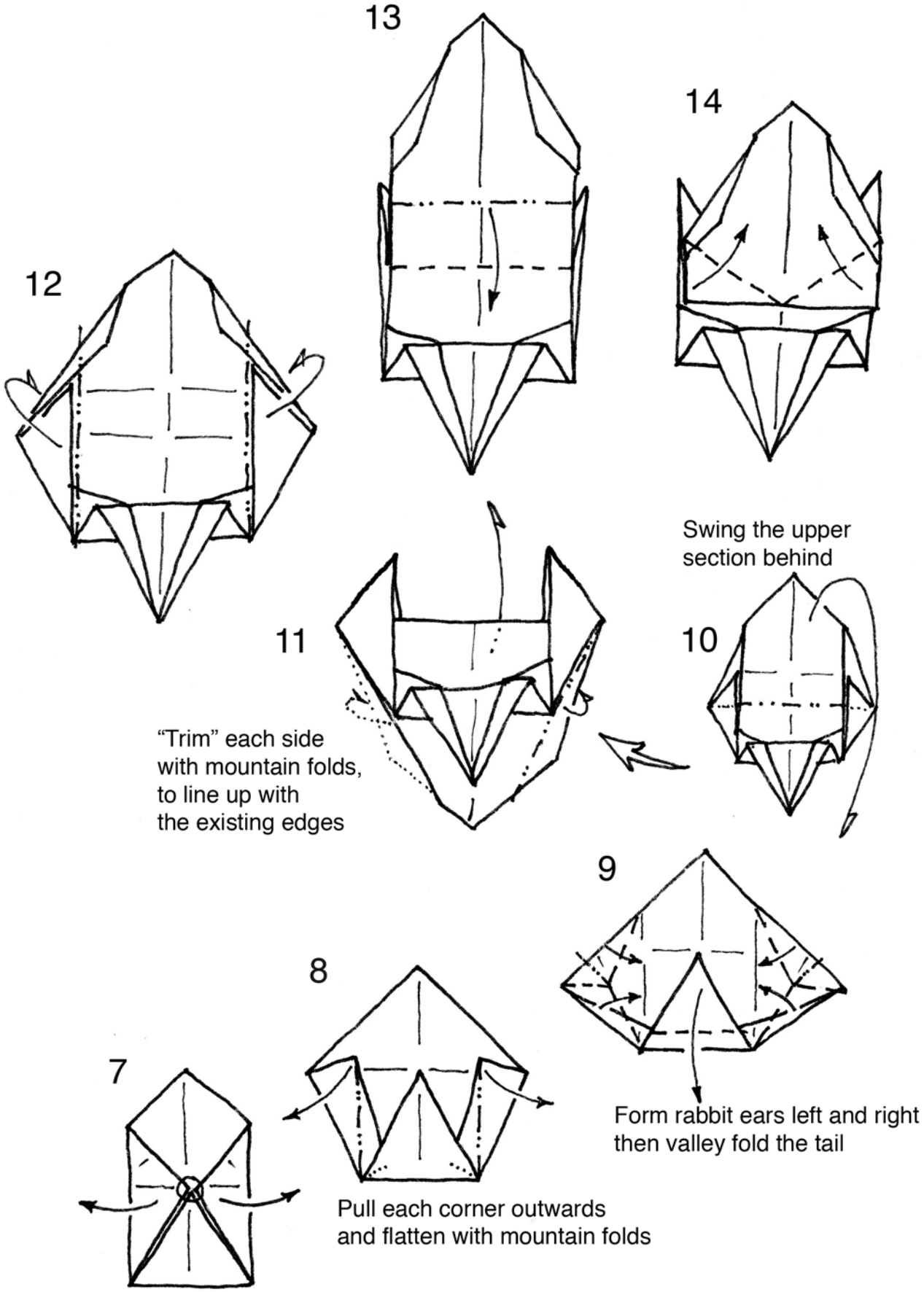
# Cat, Mouse and Cheese

by Dave Brill 2003/4

## Mouse

Start with a 16cm square.





"Trim" each side with mountain folds, to line up with the existing edges

Swing the upper section behind

Form rabbit ears left and right then valley fold the tail

Pull each corner outwards and flatten with mountain folds

12

13

14

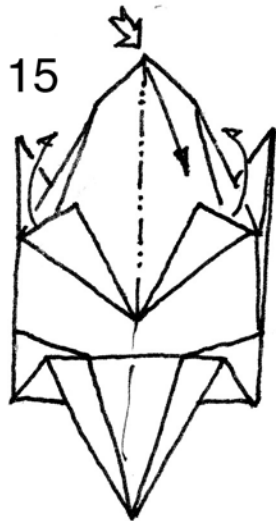
11

10

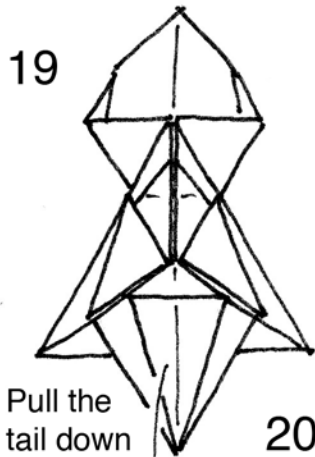
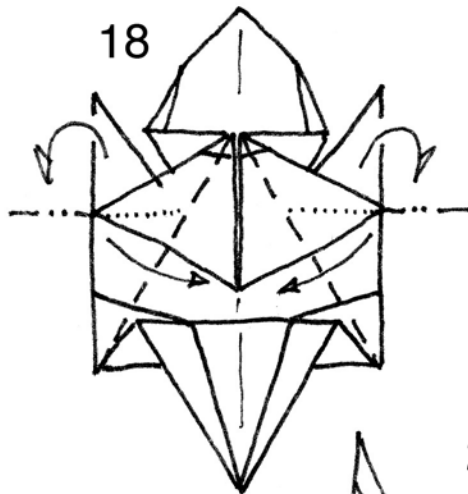
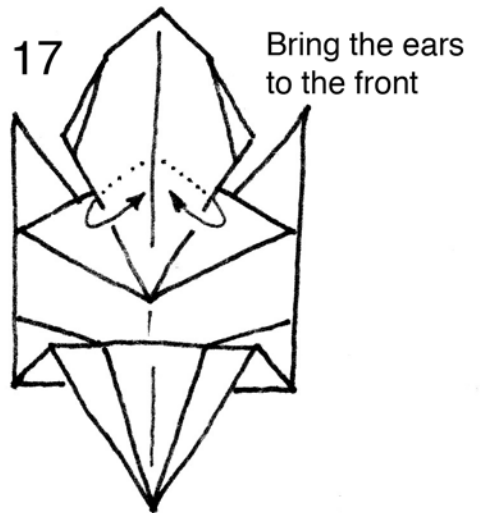
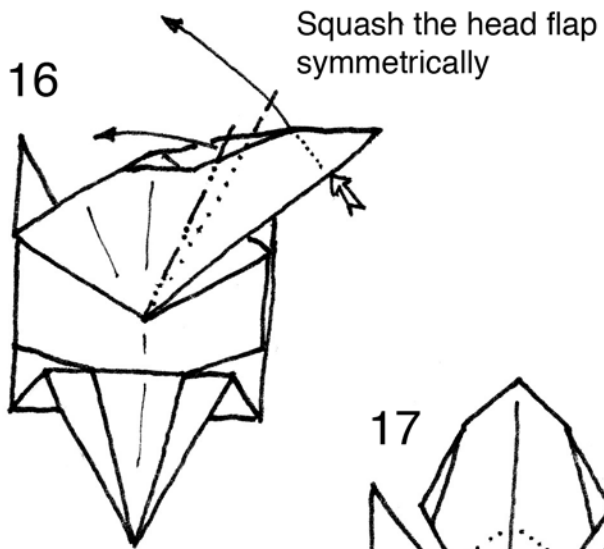
9

8

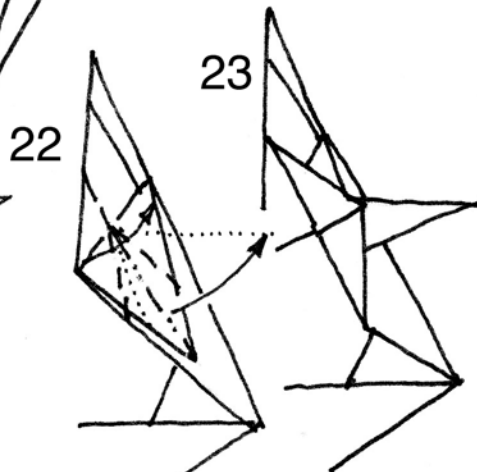
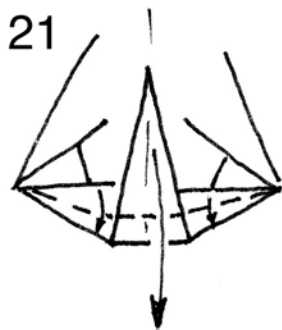
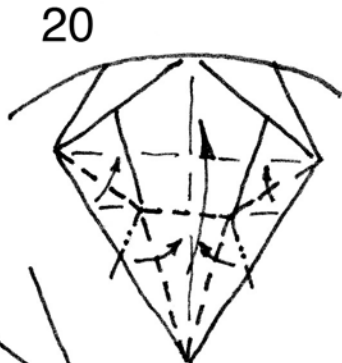
7



15  
Pull the head flap towards you to form a sort of rabbit's ear

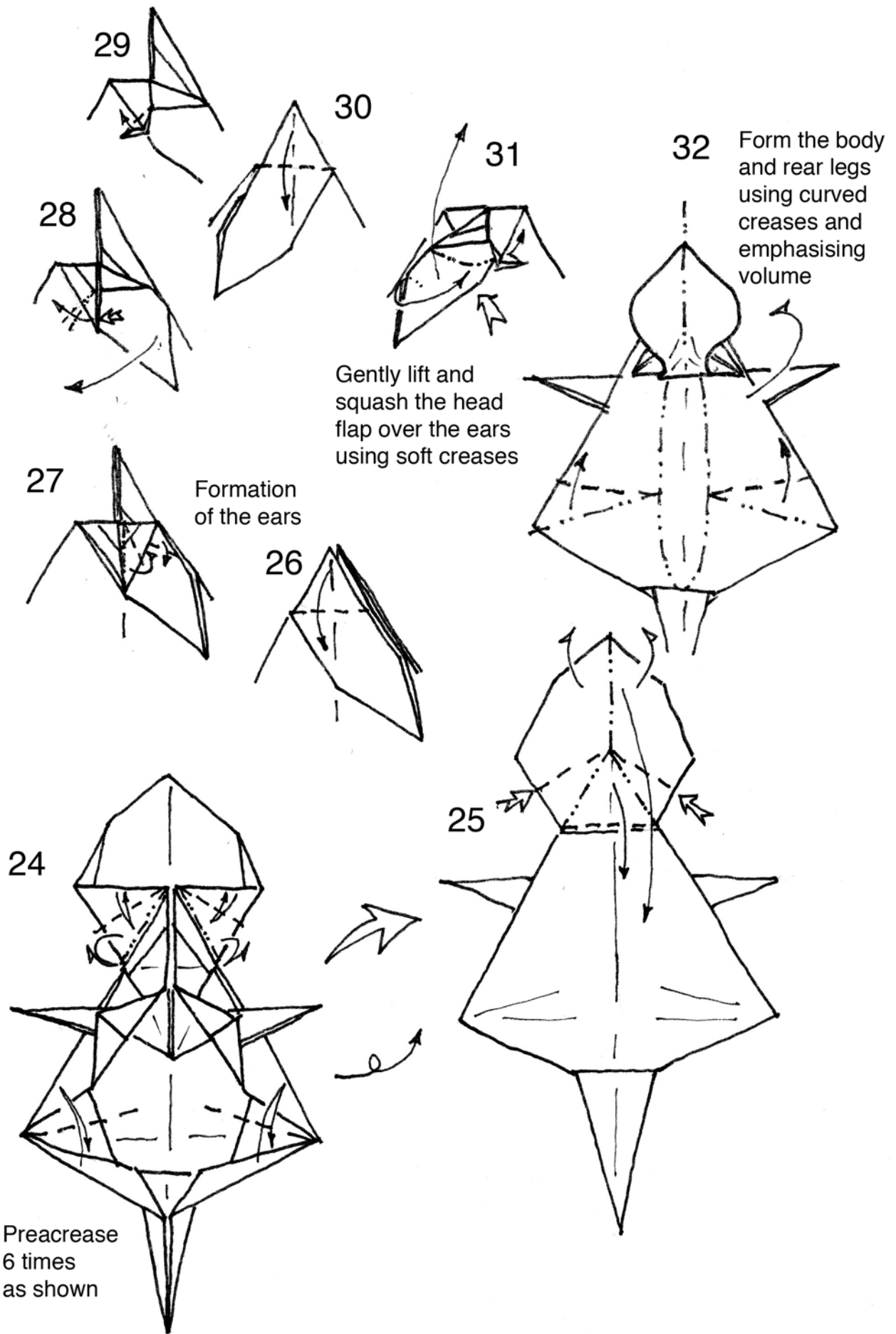


19  
Pull the tail down releasing layers from within



22  
Formation of the front legs





Precrease 6 times as shown

Formation of the ears

Gently lift and squash the head flap over the ears using soft creases

Form the body and rear legs using curved creases and emphasising volume

33

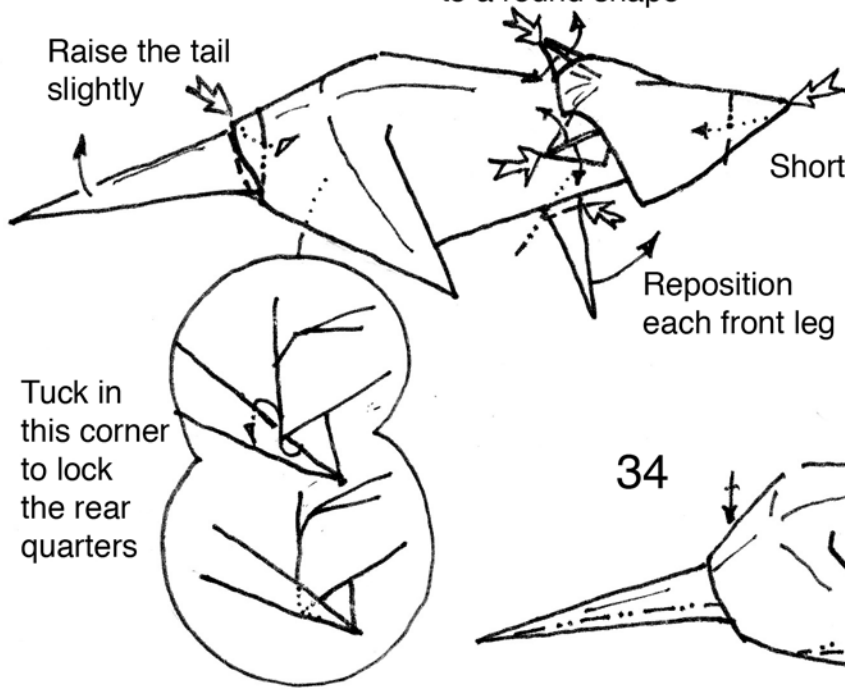
Open the ears to a round shape

Raise the tail slightly

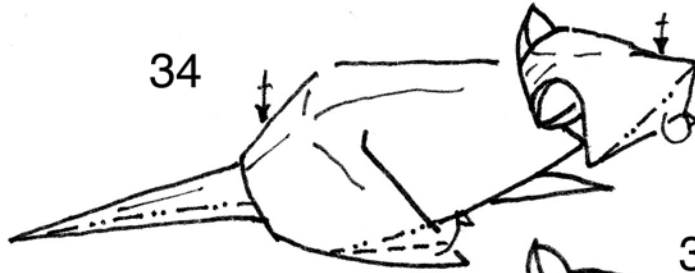
Shorten the head

Reposition each front leg

Tuck in this corner to lock the rear quarters

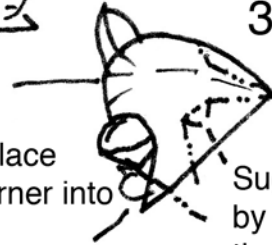


34

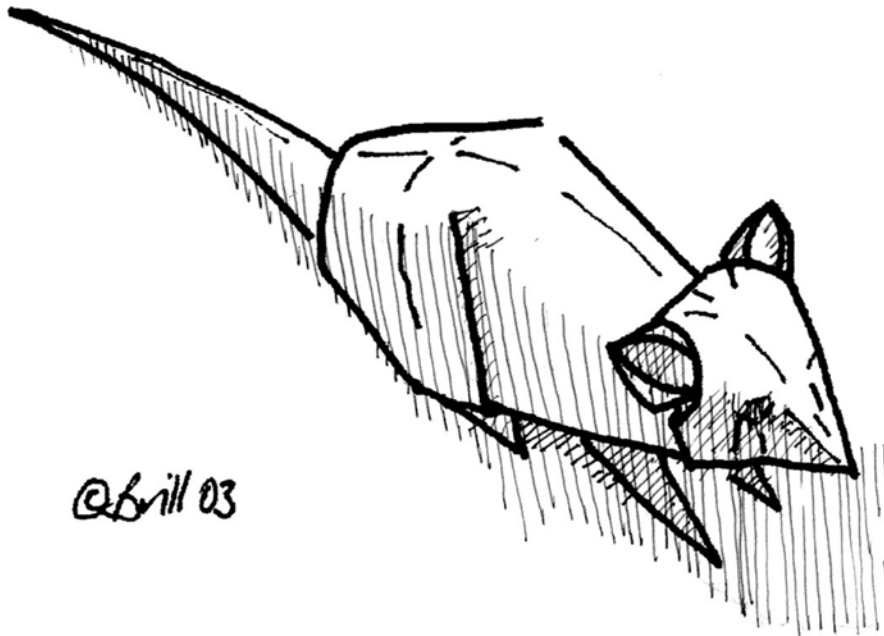


Lock the head in place by inserting the corner into the pocket behind

35



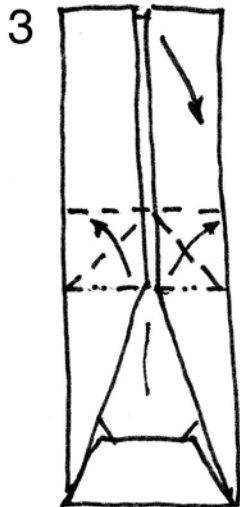
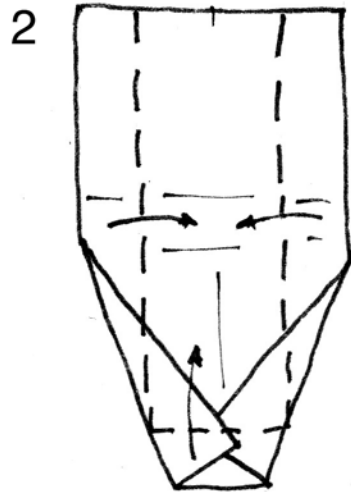
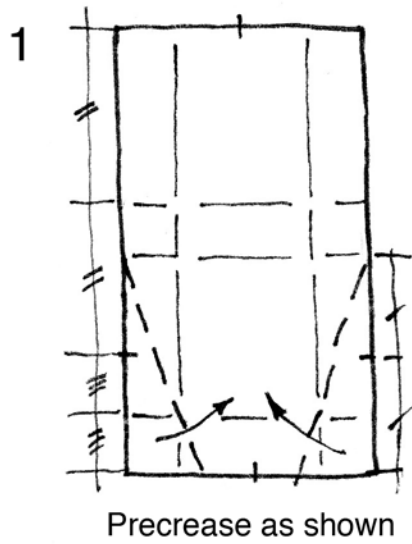
Suggest eyes by squeezing in these creases



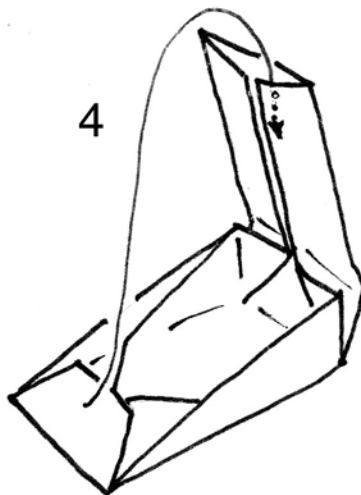
@brill 03

# Cheese

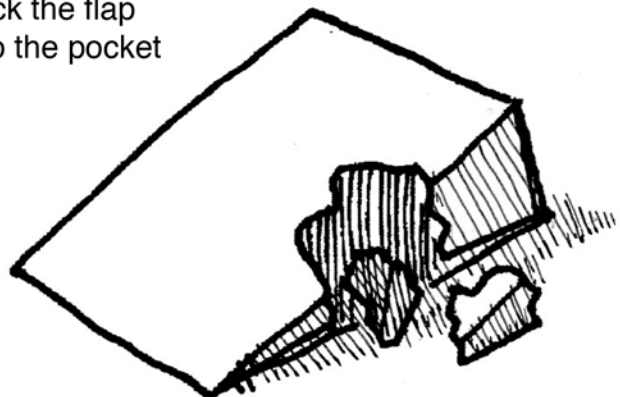
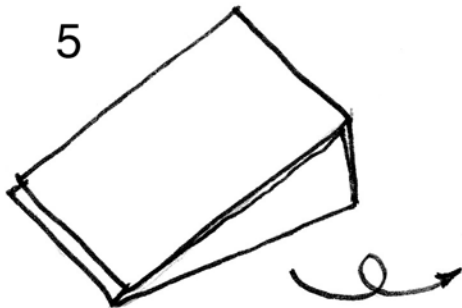
Use a 2x1 rectangle  
16 x 8cm



Open to form a  
box (cheese?) shape



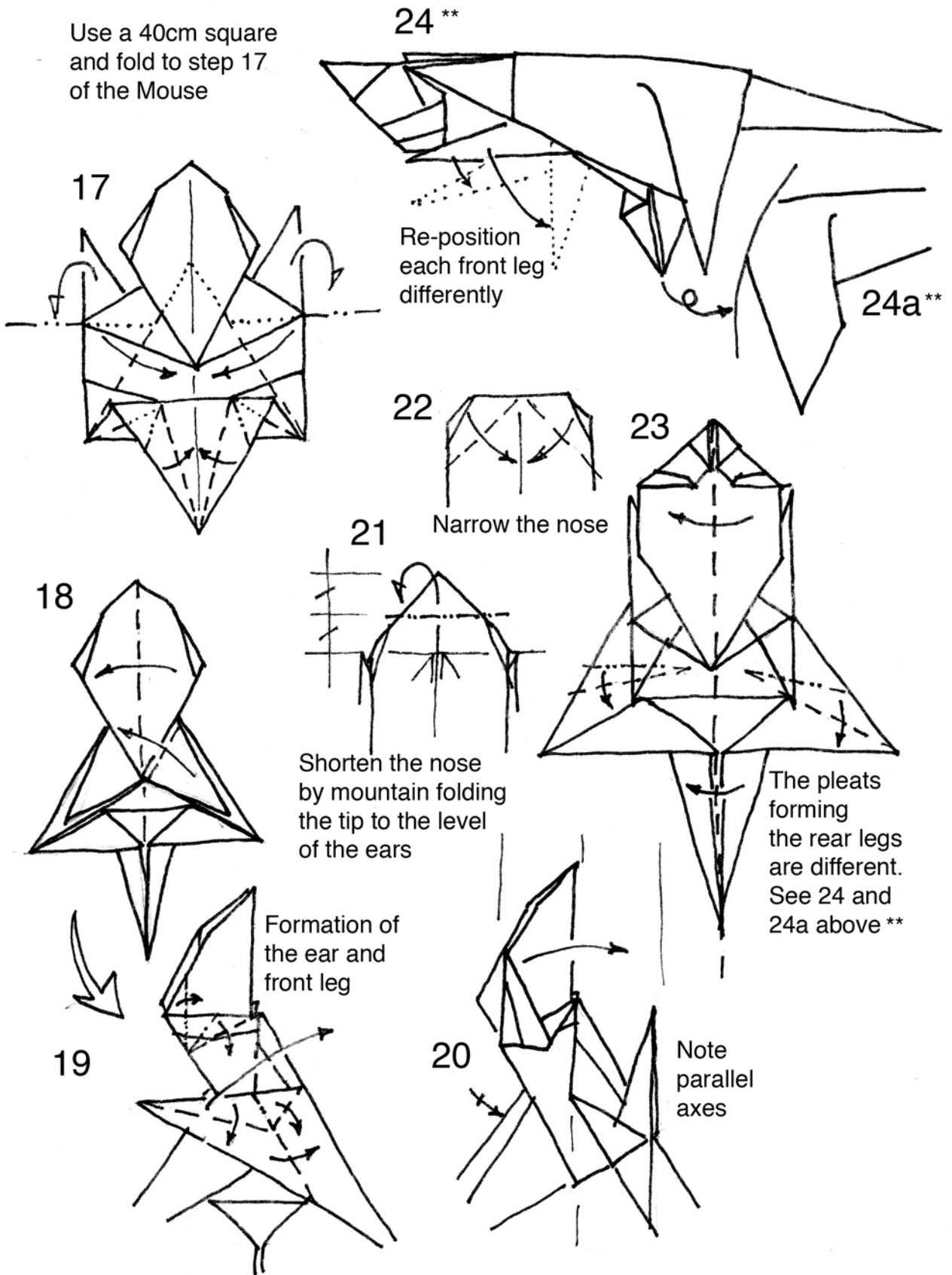
Tuck the flap  
into the pocket

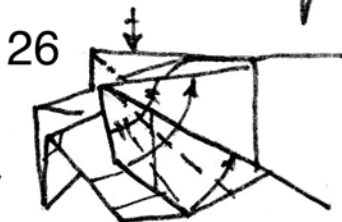
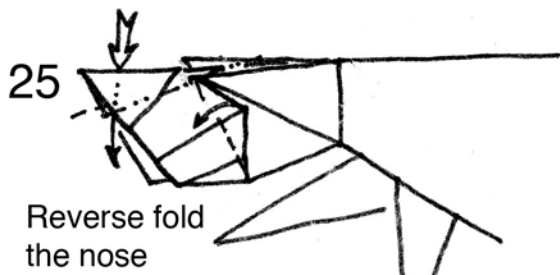


@bill'04

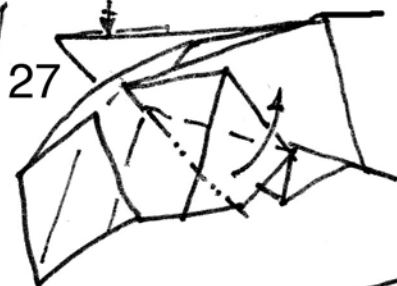
# Cat

Use a 40cm square and fold to step 17 of the Mouse

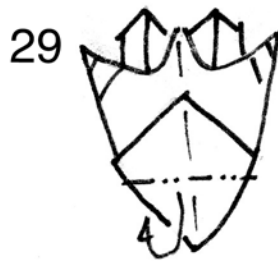




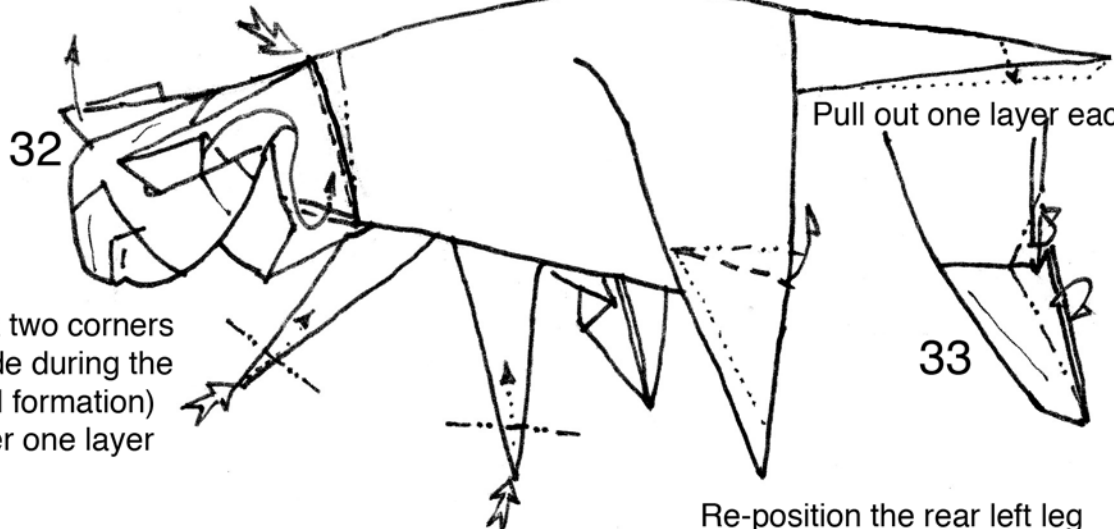
Formation  
of head  
and ears:  
note  
the head  
becomes  
three  
dimensional



Formation of  
the nose and eyes



Make a shallow crimp  
to form the neck

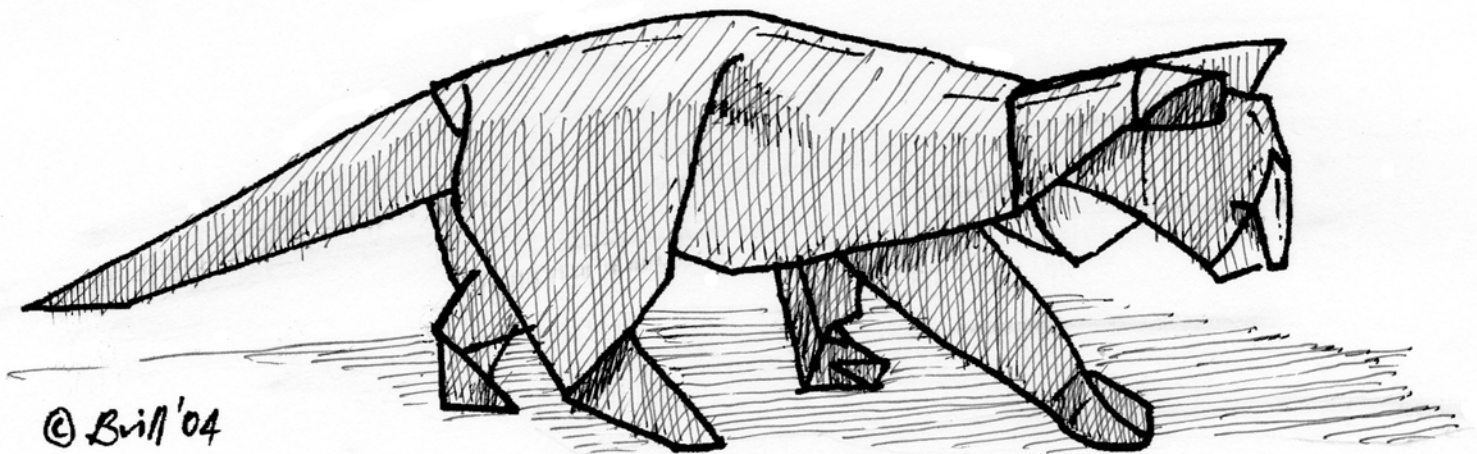
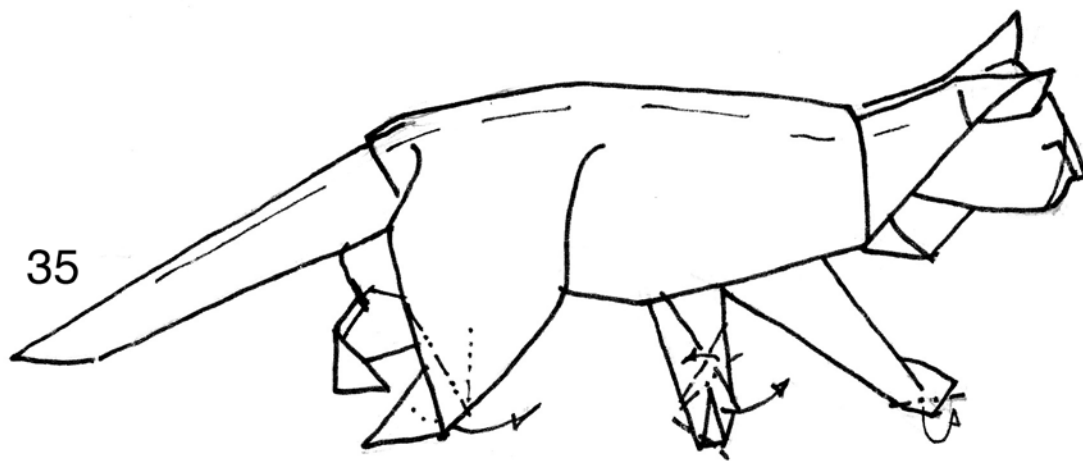
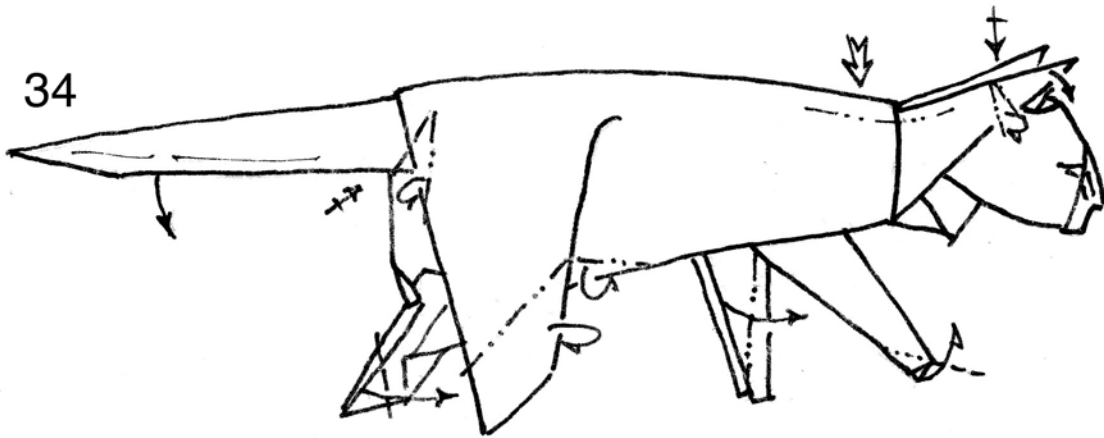


Tuck two corners  
(made during the  
head formation)  
under one layer

Pull out one layer each side

Re-position the rear left leg





© Bill '04